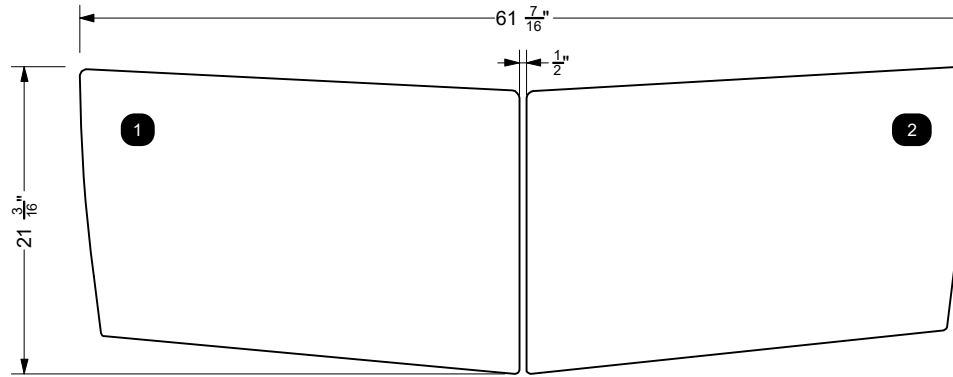
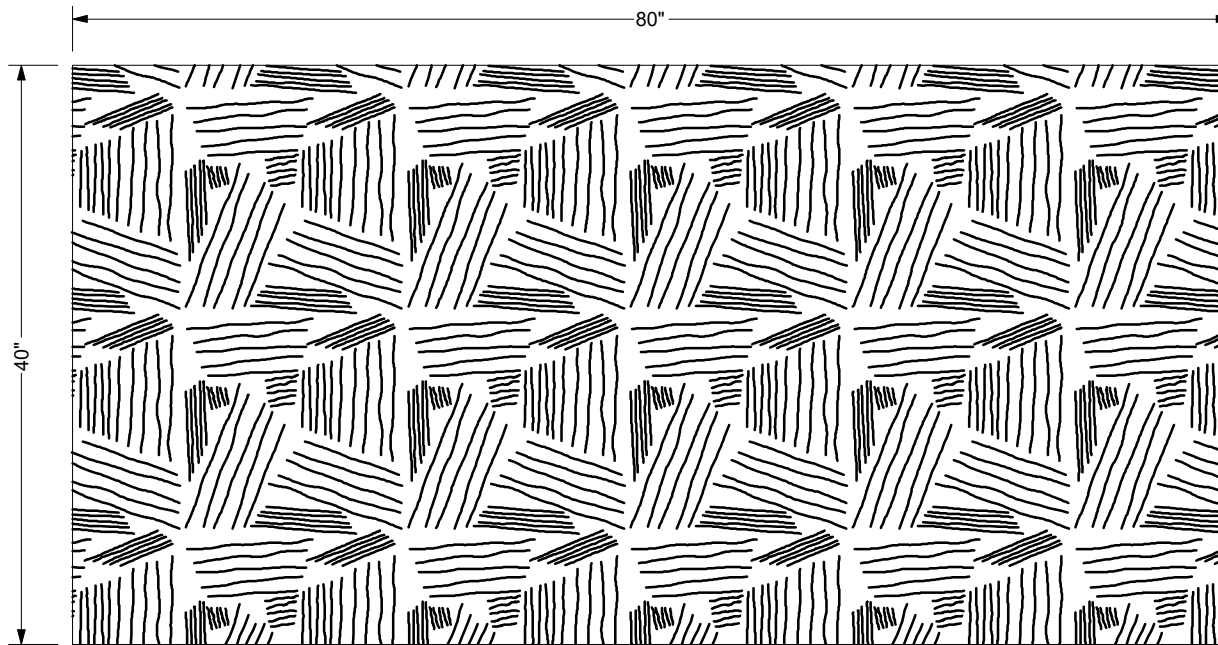


CUSTOMER INFO		MATERIAL INFORMATION [BOM]				PART LIST	
YEAR	2008	TEXTURE	BRUSHED		ID	DESCRIPTION / LOCATION	
MAKE	TIGE	TOP SHEET	3 MM	COLOR	BLACK	1	PORT SPP
MODEL	Z1	MID SHEET	3 MM	COLOR	DARK GRAY	2	STBD SPP
AREA OF COVERAGE	SWIM PLATFORM	BOT SHEET	3 MM	COLOR	SUNBURST YELLOW		
		OVERALL	9 MM	ADHESION	PSA		
		LOGO STYLE	FULL SHEET LASER				
		EDGE STYLE	COVE				



FULL SHEET LASER PATTERN 39



← GRAIN DIRECTION

Copyright 2015-2020 Hyperform, Inc. dba SeaDek ALL RIGHTS RESERVED
THIS DRAWING AND THE INFORMATION THEREIN ARE PROPERTY OF
HYPERFORM, INC. (DBA SEADEK, SWIMDEK, ENDEAVOURDEK)
AND SHALL NOT BE REPRODUCED, COPIED, RECORDED IN ANY MEDIA
USED FOR ANY OTHER PURPOSE OR DELIVERED AND/OR DISCLOSED
TO ANY THIRD PARTY WITHOUT WRITTEN CONSENT OF HYPERFORM, INC.

ID	DESCRIPTION	REV BY	DATE
001	REVISED SPP WITH NEW PARTS	BT	09/28/2020
000	FIRST VERSION, SOURCE 23491	BT	09/08/2020

REVISIONS

DRAWN BY: B. TUGGLE DATE: 09/08/2020

SeaDek

DRAWING FOR REFERENCE ONLY TOL: ± 0.0625

M-TIG-45259-86957