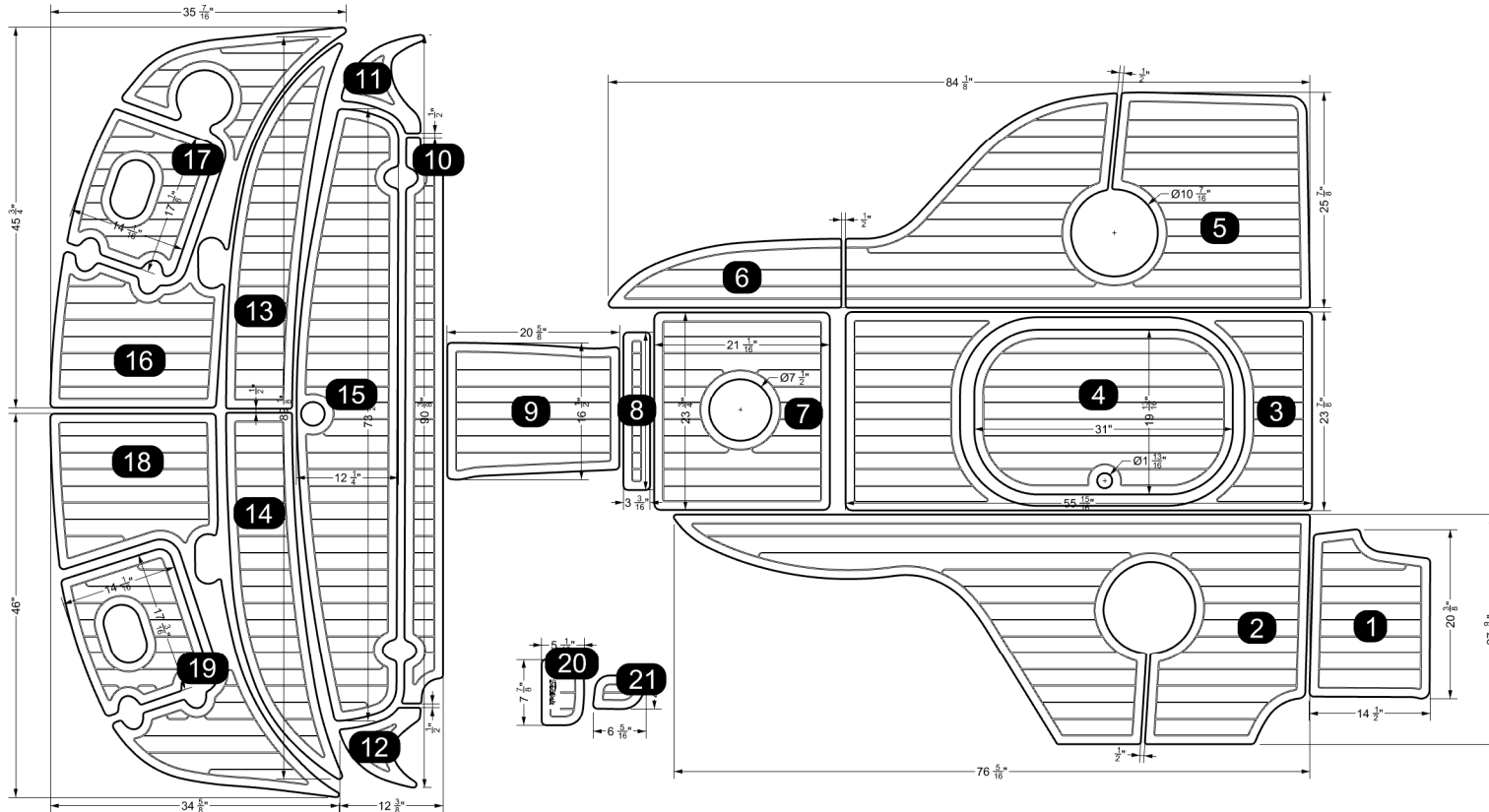
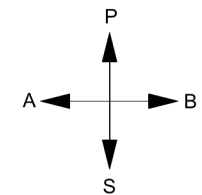


CUSTOMER INFO		MATERIAL INFORMATION [BOM]		PART LIST	
YEAR	2005	TEXTURE	BRUSHED	ID	DESCRIPTION / LOCATION
MAKE	FOUR WINNS	TOP SHEET	3 MM COLOR TBD	1	FOOT REST
MODEL	245 SUNDOWNER	BOT SHEET	5 MM COLOR TBD	2	STBD COCKPIT
AREA OF COVERAGE	FULL KIT	OVERALL	8 MM ADHESION: ADHESION	3	CENTER COCKPIT
		LOGO STYLE	2" TEAK/PINLINE/LASER	4	CENTER COCKPIT HATCH
		EDGE STYLE	COVE	5	PORT COCKPIT
				6	PORT COCKPIT
				7	CENTER HATCH
				8	CENTER
				9	WALK THROUGH
				10	AFT
				11	AFT
				12	AFT
				13	AFT
				14	AFT
				15	AFT
				16	PORT SPP
				17	PORT SPP
				18	STBD SPP
				19	STBD SPP
				20	STEP
				21	STEP



#11-19
GRAIN DIRECTION →

← GRAIN DIRECTION



M-FRW-52859

Copyright 2015-2022 Hyperform, Inc. dba SeaDek. ALL RIGHTS RESERVED
THIS DRAWING AND THE INFORMATION THEREIN ARE PROPERTY OF
HYPERFORM, INC. (DBA SEADEK, SWIMDEK, ENDEAVOURDEK)
AND SHALL NOT BE REPRODUCED, COPIED, RECORDED IN ANY MEDIA,
USED FOR ANY OTHER PURPOSE OR DELIVERED AND/OR DISCLOSED
TO ANY THIRD PARTY WITHOUT WRITTEN CONSENT OF HYPERFORM, INC.

000 FIRST VERSION
ID DESCRIPTION

REVISIONS

AO 05/04/2022
REV BY DATE

DRAWN BY: A. OCONNOR DATE: 05/04/2022

DRAWING FOR REFERENCE ONLY | TOL: ± 0.0625