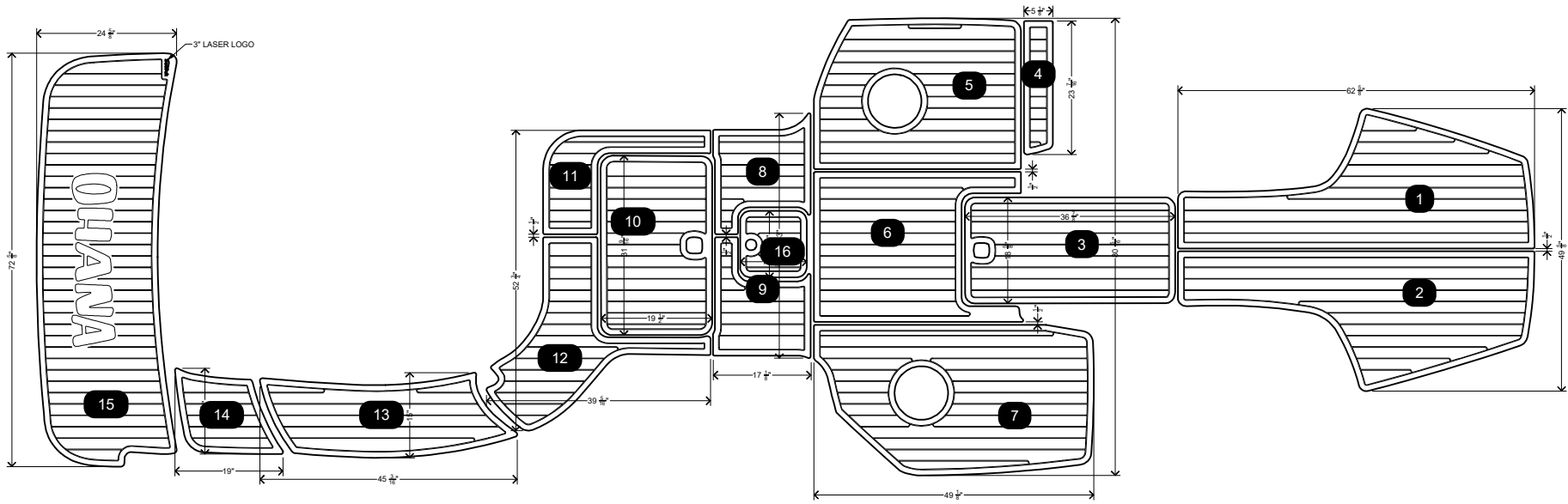


| CUSTOMER INFO               |          | MATERIAL INFORMATION [BOM] |                      | PART LIST |                        |
|-----------------------------|----------|----------------------------|----------------------|-----------|------------------------|
| YEAR                        | 2007     | TEXTURE                    | BRUSHED              | ID        | DESCRIPTION / LOCATION |
| MAKE                        | COBALT   | TOP SHEET                  | 3 MM COLOR TBD       | 1         | PORT BOW               |
| MODEL                       | 252      | BOT SHEET                  | 3 MM COLOR TBD       | 2         | STBD BOW               |
| AREA OF COVERAGE            | FULL KIT | OVERALL                    | 6 MM ADHESION: PSA   | 3         | SKI LOCKER             |
| DESIGNER NOTES              |          | LOGO STYLE                 | 2" TEAK/POCKET/LASER | 4         | PORT FOOT REST         |
| 1. CROSSED GRAINED PART #15 |          | EDGE STYLE                 | COVE                 | 5         | PORT COCKPIT           |
|                             |          |                            |                      | 6         | CENTER COCKPIT         |
|                             |          |                            |                      | 7         | STBD COCKPIT           |
|                             |          |                            |                      | 8         | PORT AFT COCKPIT       |
|                             |          |                            |                      | 9         | STBD AFT COCKPIT       |
|                             |          |                            |                      | 10        | CENTER AFT HATCH       |
|                             |          |                            |                      | 11        | PORT AFT COCKPIT       |
|                             |          |                            |                      | 12        | STBD AFT COCKPIT       |
|                             |          |                            |                      | 13        | AFT WALK THRU.         |
|                             |          |                            |                      | 14        | STEP                   |
|                             |          |                            |                      | 15        | SPP                    |
|                             |          |                            |                      | 16        | HATCH                  |



GRAIN DIRECTION #15

← GRAIN DIRECTION

Copyright 2015-2021 Hyperform, Inc. dba SeaDek. ALL RIGHTS RESERVED  
 THIS DRAWING AND THE INFORMATION THEREIN ARE PROPERTY OF  
 HYPERFORM, INC. (DBA SEADEK, SWIMDEK, ENDEAVOURDEK)  
 AND SHALL NOT BE REPRODUCED, COPIED, RECORDED IN ANY MEDIA  
 USED FOR ANY OTHER PURPOSE OR DELIVERED AND/OR DISCLOSED  
 TO ANY THIRD PARTY WITHOUT WRITTEN CONSENT OF HYPERFORM, INC.

| 001 | REVISED PARTS #1,2,7-9 PER RETURNED DRYFITS |
|-----|---|
| 000 | FIRST VERSION, SOURCE: 42162, 44876         |
| ID  | DESCRIPTION                                 |

| TD     | 08/05/2021 |
|--------|------------|
| TD     | 06/30/2021 |
| REV BY | DATE       |

REVISIONS

DRAWN BY: T. DOUGHTY DATE: 06/30/2021

**SeaDek**

DRAWING FOR REFERENCE ONLY | TOL: ± 0.0625

M-COB-50054