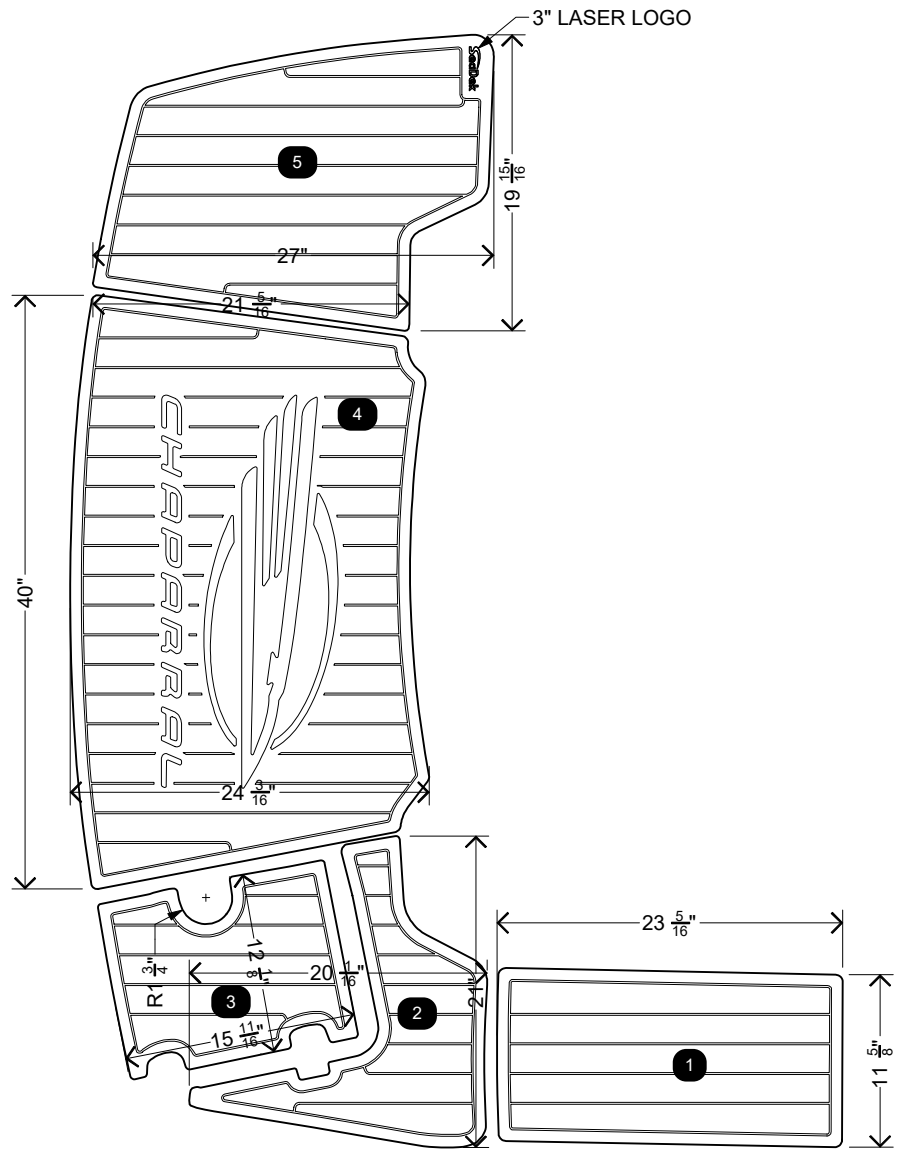


CUSTOMER INFO		MATERIAL INFORMATION [BOM]		PART LIST			
YEAR	2015	TEXTURE	BRUSHED	ID	DESCRIPTION / LOCATION	ID	DESCRIPTION / LOCATION
MAKE	CHAPARRAL	TOP SHEET	3 MM COLOR TBD	1	WALKTHRU	4	ISP-CENTER
MODEL	224 SUNESTA	BOT SHEET	3 MM COLOR TBD	2	ISP-STBD	5	ISP-PORT
AREA OF COVERAGE	SWIM PLATFORM	OVERALL	6 MM ADHESION: PSA	3	ISP-LADDER		
		LOGO STYLE	POCKET/2" TEAK/LASER				
		EDGE STYLE	COVE				



GRAIN DIRECTION #4

← GRAIN DIRECTION

M-CHA-49103

ID	DESCRIPTION	REV BY	DATE
001	REVISED PART #4 PER CUST. REQUEST	TD	05/24/2021
000	FIRST VERSION, SOURCE: 42975 PARTS #4,6-9,11	TD	05/04/2021

DRAWN BY: T. DOUGHTY    DATE: 05/04/2021

DRAWING FOR REFERENCE ONLY | TOL: ± 0.0625

Copyright 2015-2021 Hyperform, Inc. (dba SeaDek). ALL RIGHTS RESERVED.  
 HYPERFORM, INC. (DBA SEADEK, SWIMDEK, ENDEAVOURDEK)  
 AND SHALL NOT BE REPRODUCED, COPIED, RECORDED IN ANY MEDIA  
 USED FOR ANY OTHER PURPOSE OR DELIVERED AND/OR DISCLOSED  
 TO ANY THIRD PARTY WITHOUT WRITTEN CONSENT OF HYPERFORM, INC.