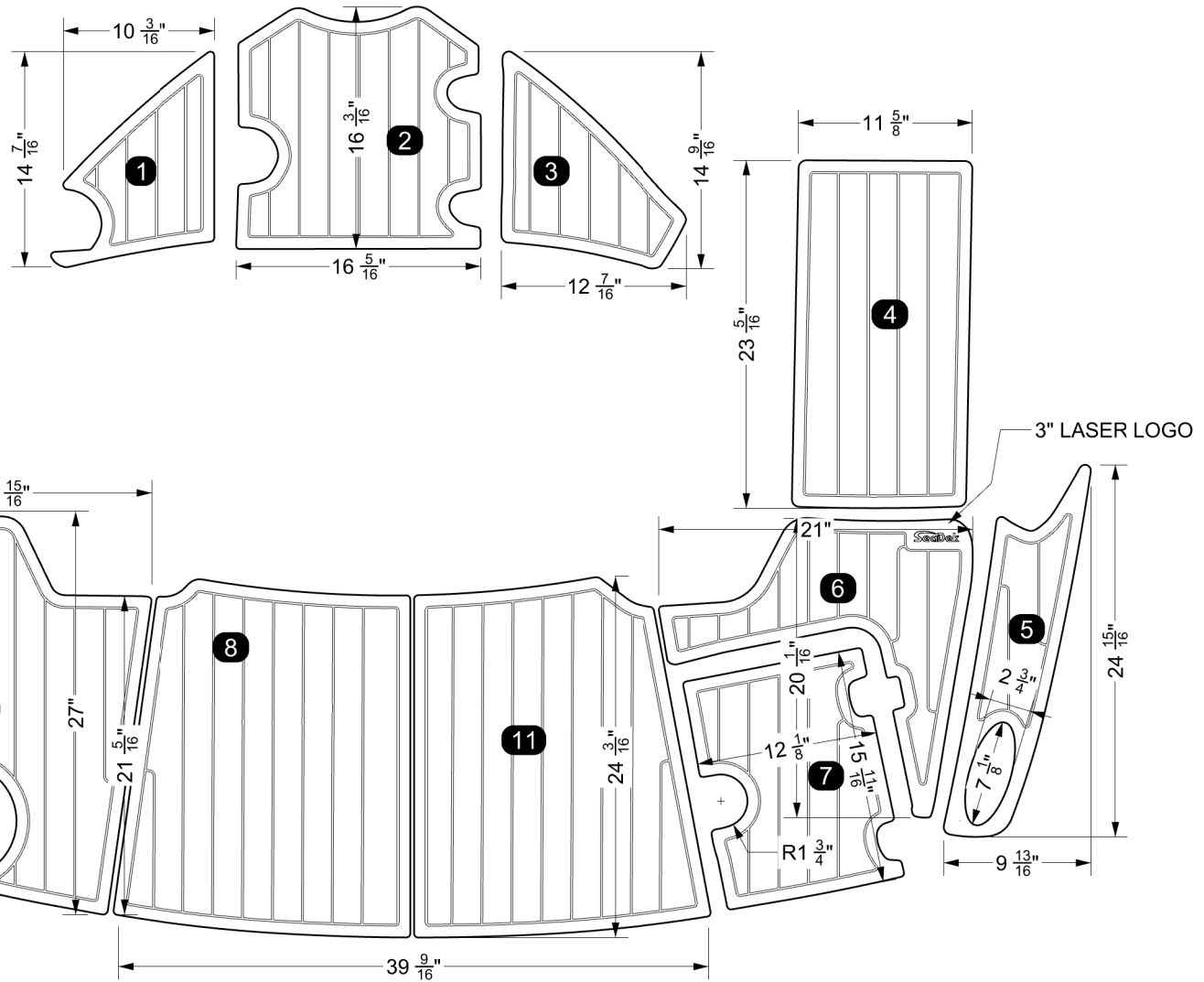


CUSTOMER INFO		MATERIAL INFORMATION [BOM]				PART LIST					
YEAR	2008	TEXTURE	BRUSHED			ID	DESCRIPTION / LOCATION		ID	DESCRIPTION / LOCATION	
MAKE	CHAPARRAL	TOP SHEET	3 MM	COLOR	TBD	1	BOW-PORT		6	ISP-STBD	
MODEL	224 SUNESTA	BOT SHEET	3 MM	COLOR	TBD	2	BOW-CENTER		7	ISP-LADDER	
AREA OF COVERAGE	SWIM PLATFORM	OVERALL	6 MM	ADHESION	PSA	3	BOW-STBD		8	ISP-CENTER	
		LOGO STYLE	2" TEAK/LASER			4	WALKTHRU		9	ISP-PORT	
		EDGE STYLE	COVE			5	ISP-STBD		10	ISP-PORT	
									11	ISP-CENTER 2	



GRAIN DIRECTION →

M-CHA-48996

Copyright 2015-2021 Hyperform, Inc. dba SeaDek. ALL RIGHTS RESERVED  
 THIS DRAWING AND THE INFORMATION THEREIN ARE PROPERTY OF  
 HYPERFORM, INC. (DBA SEADEK, SWIMDEK, ENDEAVOURDEK)  
 AND SHALL NOT BE REPRODUCED, COPIED, RECORDED IN ANY MEDIA,  
 USED FOR ANY OTHER PURPOSE OR DELIVERED AND/OR DISCLOSED  
 TO ANY THIRD PARTY WITHOUT WRITTEN CONSENT OF HYPERFORM, INC.

000	FIRST VERSION
ID	DESCRIPTION

REVISIONS

GB	04/28/2021
REV BY	DATE

DRAWN BY: G. BITTINGER DATE: 04/28/2021

SeaDek

DRAWING FOR REFERENCE ONLY | TOL: ± 0.0625