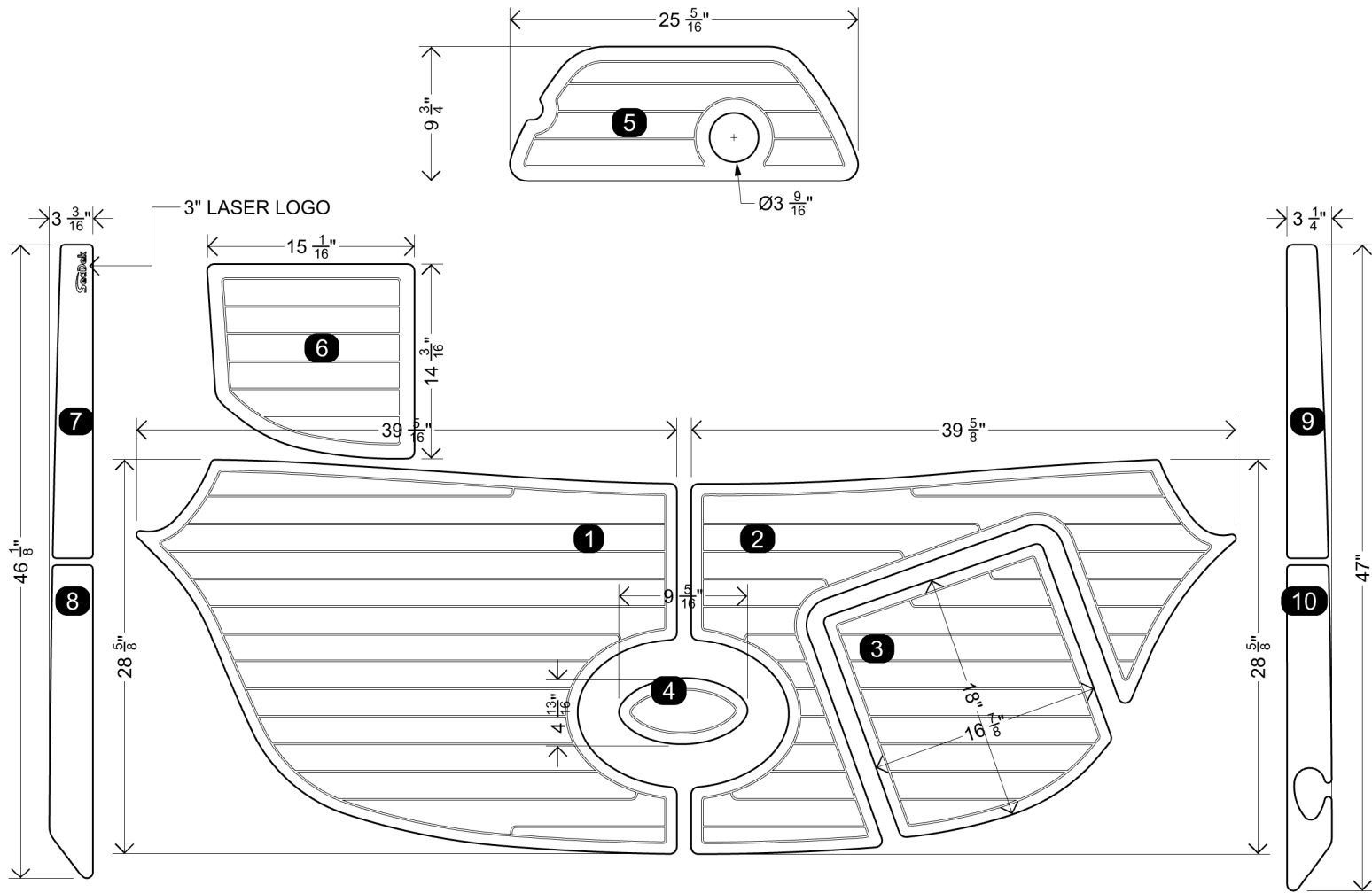


CUSTOMER INFO		MATERIAL INFORMATION [BOM]		PART LIST	
YEAR	2002	TEXTURE	BRUSHED	ID	DESCRIPTION / LOCATION
MAKE	SEARAY	TOP SHEET	3 MM COLOR TBD	1	SPP PORT
MODEL	200 BR	BOT SHEET	3 MM COLOR TBD	2	SPP STBD
AREA OF COVERAGE	SWIM PLATFORM	OVERALL	6 MM ADHESION: PSA	3	HATCH
		LOGO STYLE	2" TEAK/LASER	4	VENT
		EDGE STYLE	COVE	5	ANCHOR HATCH
				6	STEP
				7	PORT GUNNEL
				8	PORT GUNNEL
				9	STBD GUNNEL
				10	STBD GUNNEL



M-SRY-41265

← GRAIN DIRECTION

Copyright 2015-2019 Hyperform, Inc. dba SeaDek. ALL RIGHTS RESERVED.
 THIS DRAWING AND THE INFORMATION THEREIN ARE PROPERTY OF
 HYPERFORM, INC. (DBA SEADEK, SWIMDEK, ENDEAVOURDEK)
 AND SHALL NOT BE REPRODUCED, COPIED, RECORDED IN ANY MEDIA,
 USED FOR ANY OTHER PURPOSE OR DELIVERED AND/OR DISCLOSED
 TO ANY THIRD PARTY WITHOUT WRITTEN CONSENT OF HYPERFORM, INC.

000 FIRST VERSION, SOURCE: 23335

ID	DESCRIPTION

REVISIONS

MA	11/06/2019
REV BY	DATE

DRAWN BY: M. ANDERSON DATE: 11/06/2019

SeaDek

DRAWING FOR REFERENCE ONLY | TOL: ± 0.0625