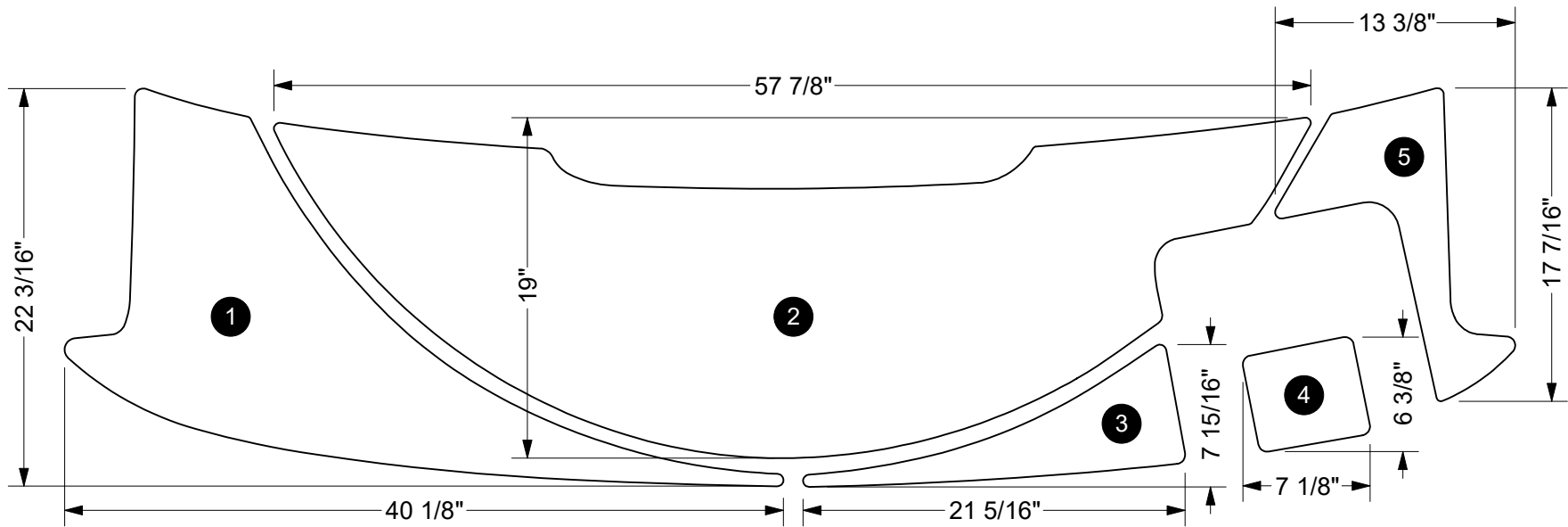


CUSTOMER INFO		MATERIAL INFORMATION [BOM]		PART LIST	
YEAR	2004	TEXTURE	BRUSHED	ID	DESCRIPTION / LOCATION
MAKE	SEARAY	SHEET	5 MM COLOR TBD	1	PORT SPP
MODEL	200SP - SPP	ADHESION	PSA	2	SPP
AREA OF COVERAGE	SWIM PLATFORM	LOGO STYLE	NONE	3	STBD SPP
		EDGE STYLE	COVE	4	HATCH
				5	STBD SPP



M-SRY-35893

← GRAIN DIRECTION

THIS DRAWING AND THE INFORMATION THEREIN ARE PROPERTY OF HYPERFORM, INC. (DBA SEAD EK) AND SHALL NOT BE REPRODUCED, COPIED, RECORDED IN ANY MEDIA, USED FOR ANY OTHER PURPOSE OR DELIVERED AND/OR DISCLOSED TO ANY THIRD PARTY WITHOUT WRITTEN CONSENT OF HYPERFORM, INC.

ID	DESCRIPTION	REV BY	DATE
001	REVISED PER DRY FIT RETURN	SB	10/25/2018
000	FIRST VERSION	SB	9/6/2018

REVISIONS

DRAWN BY: S. BLUMAUER DATE: 9/6/2018

DRAWING FOR REFERENCE ONLY | TOL: ± 0.0625